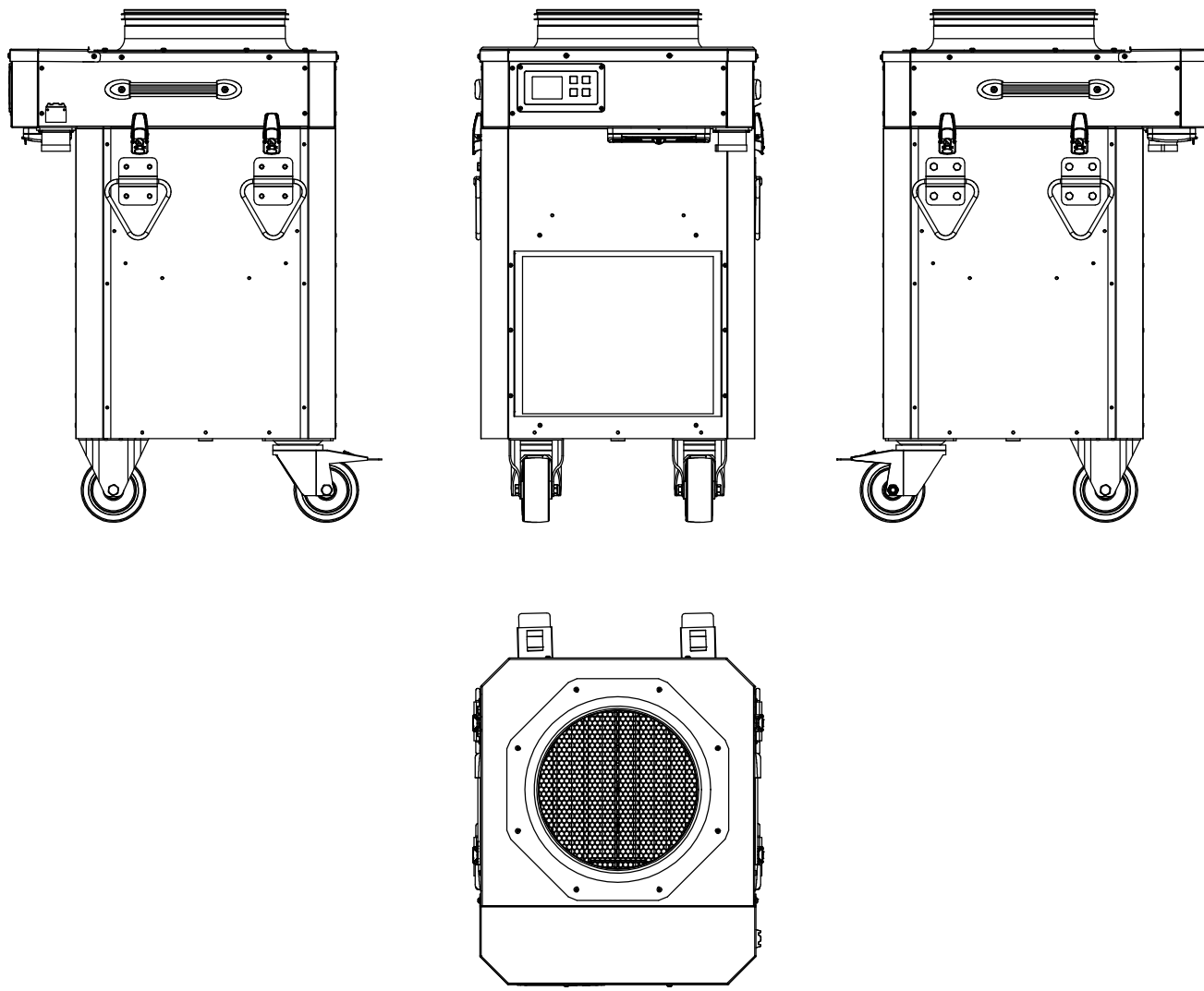


A B C D E F G H J K



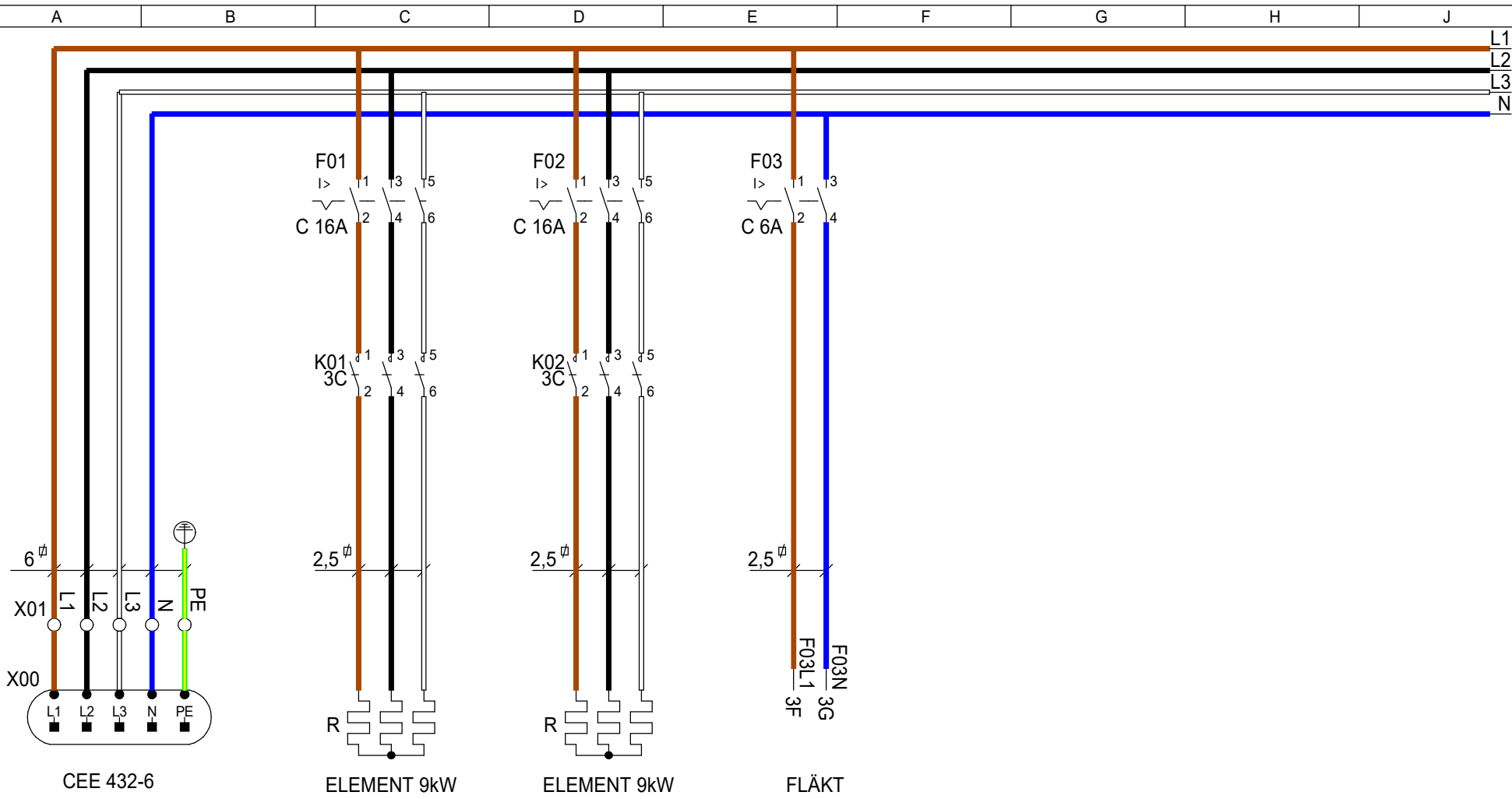
ARTIKELNR./ ARTICLE NO. <b>EB14642</b>			
MÄRKSTRÖM/ CURRENT RATING <b>32</b>	<b>A</b>		
SPÄNNING/ VOLTAGE <b>400</b>	<b>V</b>		
MEASURING EQUIPMENT			
CURR.- TRAFO- SPACE	ENERGY- METER- SPACE		
FAST ANSLUTNING/ FIXED CONNECTIONS			
<125A	>125A		
CEE-OUTLETS 3-POLE			
16A	32A	63A	125A
SCHUKO OUTLETS			
16A			
CEE-OUTLETS 4-POLE			
16A	32A	63A	125A
CEE-OUTLETS 5-POLE/400V			
16A	32A	63A	125A
JFB/RCD/RCBO			
0,01A	0,03A	0,1A	
JFB/RCD/RCBO			
0,3A	0,5A	Variable	
VIKT/WEIGHT			
kg			

This drawing is property of El-Björn. May not be copied, shown or distributed without our written permission.

TF 18EL EBC



RITAD AV/DRAWN BY <b>CG</b>	DATUM/DATE <b>200601</b>	NEXT SHEET <b>2</b>	SHEET <b>1</b>
SIGN	REVISION/ISSUE <b>A*</b>	RITNING NR./DRAWING <b>EB14642</b>	



CEE 432-6

ELEMENT 9kW

ELEMENT 9kW

FLÄKT

ARTIKELNR./ ARTICLE NO. <b>EB14642</b>				
MÄRKSTRÖM/ CURRENT RATING	<b>32 A</b>			
SPÄNNING/ VOLTAGE	<b>400 V</b>			
MEASURING EQUIPMENT				
CURR- TRAFO- SPACE	ENERGY- METER- SPACE			
FAST ANSLUTNING/ FIXED CONNECTIONS				
<125A	>125A			
CEE-OUTLETS 3-POLE				
16A	32A	63A	125A	
SCHUKO OUTLETS				
16A				
CEE-OUTLETS 4-POLE				
16A	32A	63A	125A	
CEE-OUTLETS 5-POLE/400V				
16A	32A	63A	125A	
JFB/RCD/RCBO		0,01A	0,03A	0,1A
JFB/RCD/RCBO		0,3A	0,5A	Variable
VIKT/WEIGHT				
kg				

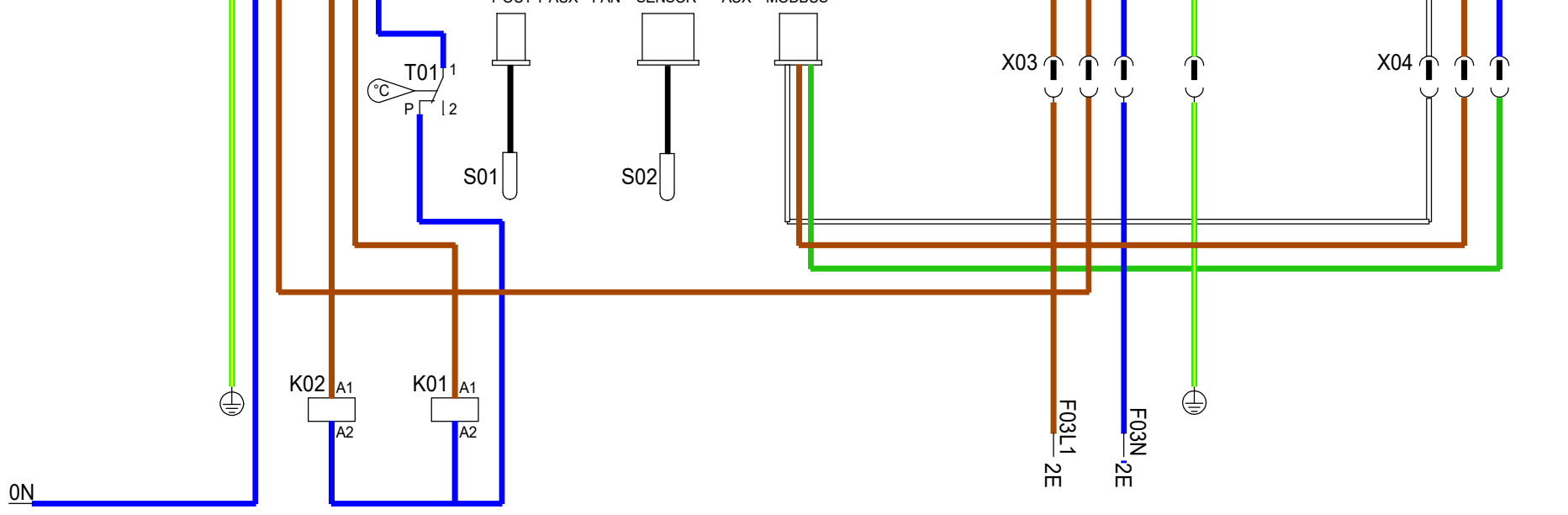
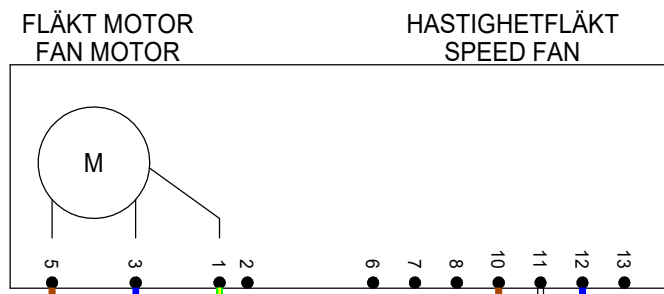
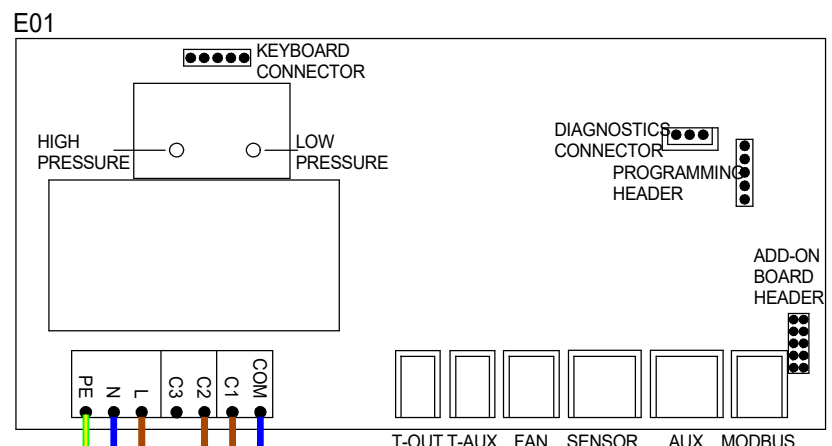
This drawing is property of El-Björn. May not be copied, shown or distributed without our written permission.

TF 18EL EBC



RITAD AV/DRAWN BY <b>CG</b>	DATUM/DATE <b>200601</b>	NEXT SHEET <b>3</b>	SHEET <b>2</b>
SIGN	REVISION/ISSUE <b>A*</b>	RITNING NR./DRAWING <b>EB14642</b>	

A B C D E F G H J K



- 1-2 2D 1-2 2C
- 3-4 2D 3-4 2C
- 5-6 2D 5-6 2C
- 13-14 13-14
- 21-22 21-22

ARTIKELNR./ ARTICLE NO. <b>EB14642</b>			
MÄRKSTRÖM/ CURRENT RATING <b>32</b>	<b>A</b>		
SPÄNNING/ VOLTAGE <b>400</b>	<b>V</b>		
MEASURING EQUIPMENT			
CURR.- TRAFO- SPACE	ENERGY- METER- SPACE		
FAST ANSLUTNING/ FIXED CONNECTIONS			
<125A	>125A		
CEE-OUTLETS 3-POLE			
16A	32A	63A	125A
SCHUKO OUTLETS			
16A			
CEE-OUTLETS 4-POLE			
16A	32A	63A	125A
CEE-OUTLETS 5-POLE/400V			
16A	32A	63A	125A
JFB/RCD/RCBO 0,01A	0,03A	0,1A	
JFB/RCD/RCBO 0,3A	0,5A	Variable	
VIKT/WEIGHT			
	<b>kg</b>		

This drawing is property of El-Björn. May not be copied, shown or distributed without our written permission.

TF 18EL EBC



RITAD AV/DRAWN BY <b>CG</b>	DATUM/DATE <b>200601</b>	NEXT SHEET <b>4</b>	SHEET <b>3</b>
SIGN	REVISION/ISSUE <b>A*</b>	RITNINGS NR./DRAWING <b>EB14642</b>	

A	B	C	D	E	F	G	H	J	K
PC.	Position	Description	Type	Manufacturer	Data	Article No.	E-number(SE)	ARTIKELNR./ ARTICLE NO. <b>EB14642</b>	
1	E01	CCU-modele		EI-Björn		279001		MÄRKSTRÖM/ CURRENT RATING <b>32 A</b>	
2	F01-F02	MCB	iC60H 3P 10kA	Schneider Electric	C 16A	A9F07316	2112254	SPÄNNING/ VOLTAGE <b>400 V</b>	
1	F03	MCB	iC60H 2P 10kA	Schneider Electric	C 6A	A9F07206	2112149	MEASURING EQUIPMENT	
2	K01-K02	Contactur	LC1K0910M7	Schneider Electric	9A, 240VAC	LC1K0910M7	3230624	CURR- TRAFO- SPACE	ENERGY- METER- SPACE
6	R	Element		Backer	3000W / 230V	51853801		FAST ANSLUTNING/ FIXED CONNECTIONS <125A   >125A	
1	S01	Sensor	Temperature	EI-Björn	850mm	279003		CEE-OUTLETS 3-POLE 16A   32A   63A   125A	
1	S02	Sensor probe	Temp/RH	EI-Björn		279009		SCHUKO OUTLETS 16A	
1	T01	Overheating Protection	NT-4B2 CM	Comprimé Components	65°	269077		CEE-OUTLETS 4-POLE 16A   32A   63A   125A	
1	X00	Inlet	432BU6	ABB	32A, 400V, IP44	2CMA193451R1000	2417347	CEE-OUTLETS 5-POLE/400V 16A   32A   63A   125A	
3	X01	Terminal	Grey	Schneider Electric	6mm <sup>2</sup>	NSYTRV62	2916271	JFB/RCD/RCBO 0,01A   0,03A   0,1A	
1		Terminal	Blue	Schneider Electric	6mm <sup>2</sup>	NSYTRV62BL	2916272	JFB/RCD/RCBO 0,3A   0,5A   Variable	
1		Terminal	Yellow / Green	Schneider Electric	6mm <sup>2</sup>	NSYTRV62PE	2916274	VIKT/WEIGHT kg	
1	X03	Contact	4-Pol, Female	Wago		770-704/009-000		NEXT SHEET   SHEET 4	
1		Contact	4-Pol, Male	Wago		770-714		RTNINGS NR./DRAWING EB14642	
1	X04	Contact	3-Pol, Female	Wago		770-703/009-000			
1		Contact	3-Pol, Male	Wago		770-713			

This drawing is property of EI-Björn. May not be copied, shown or distributed without our written permission.

TF 18EL EBC



RITAD AV/DRAWN BY CG	DATUM/DATE 200601	NEXT SHEET	SHEET 4
SIGN	REVISION/ISSUE A*	RTNINGS NR./DRAWING EB14642	